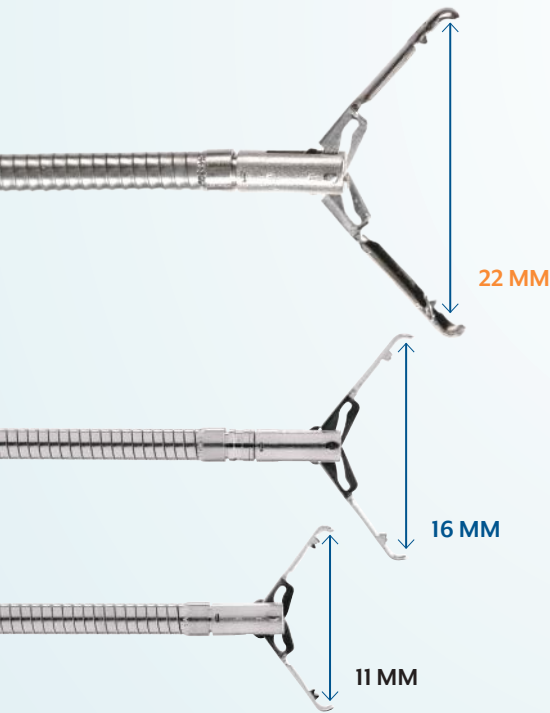


LOCK ONTO TISSUE
**LOCKADO
HEMOSTASIS CLIP**

The Lockado[®] family of hemostasis clips offers the same trusted precision and functionality as the original portfolio of SureClip[®], but with enhanced features. The convenient thumb ring allows for comfortable deployment while the rotation grip provides 360-degrees of controlled rotation.

Lockado offers physicians accuracy, reliability and added confidence.

- Improved clamping function and retention force
- Atraumatic teeth on the clip arms to better grip tissue
- Available sizes include 11 mm, 16 mm and 22 mm arm opening widths



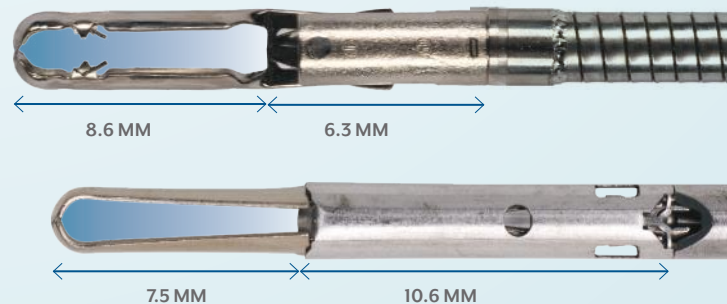
MICRO-TECH LOCKADO MAX CLIP VS. RESOLUTION 360™ ULTRA CLIP

LOCKADO MAX HAS A
49% WIDER JAW



LOCKADO MAX HAS
**15% MORE
VOLUME CAPTURED**

LOCKADO MAX HAS A
41% SHORTER STEM LENGTH



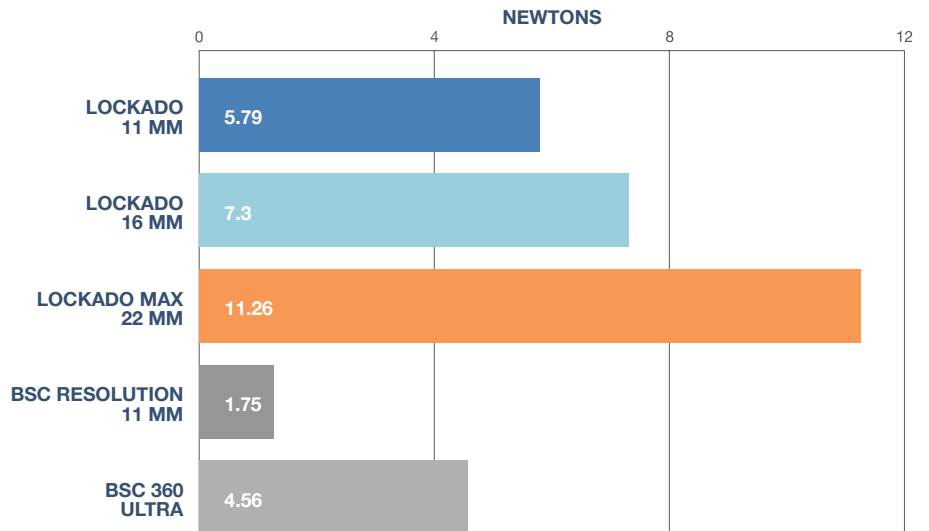
LOCKADO MAX HAS
**15% LONGER
CLIP ARMS**

*Comparison to Boston Scientific 360 Ultra, measurements taken by calibrated machines by Micro-Tech Endoscopy. Measurements indicate average length, volume and width. Data on file, actual values may vary.

KEY FEATURES

EXCELLENT RETENTION STRENGTH

When comparing Lockado to other competitive hemostasis clips, testing showed that all sizes of Lockado have greater retention strength on average than Boston Scientific Resolution® 11 mm and Ultra 360.^{1,2}



*Measurements represent average force required to pull clips off simulated tissue.

SPECIFICATIONS

LOCKADO HEMOSTASIS CLIP STERILE



Order Number	Opening Width (mm)	Sheath Diameter (mm)	Working Length (cm)	Minimum Channel Size (mm)	Packing Units
LO30861	11	2.6	235	2.8	10/Box
LO30865	11	2.6	235	2.8	2/Box

LOCKADO PLUS HEMOSTASIS CLIP STERILE



Order Number	Opening Width (mm)	Sheath Diameter (mm)	Working Length (cm)	Minimum Channel Size (mm)	Packing Units
LO30891	16	2.6	235	2.8	10/Box
LO30895	16	2.6	235	2.8	2/Box

LOCKADO MAX HEMOSTASIS CLIP* STERILE



Order Number	Opening Width (mm)	Sheath Diameter (mm)	Working Length (cm)	Minimum Channel Size (mm)	Packing Units
LO35041	22	2.6	235	2.8	10/Box
LO35045	22	2.6	235	2.8	2/Box

*Jaws may not open to maximum reach until placed in contact with tissue.

¹Bench testing was performed (n=120) per device. Test report: MTN-SD-TR-001.

²Bench testing was performed (n=5, n=25) per device. Test report: MTN-0035150 A1 Comparison Test Report

All trademarks are the property of their respective owners.

CAN'T FIND IT?

Additional items may be available. Contact us if you can't find what you need.