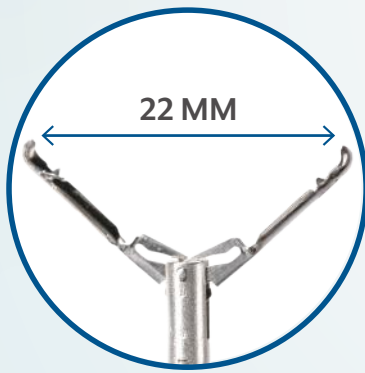


LOCKADO HEMOSTASIS CLIP

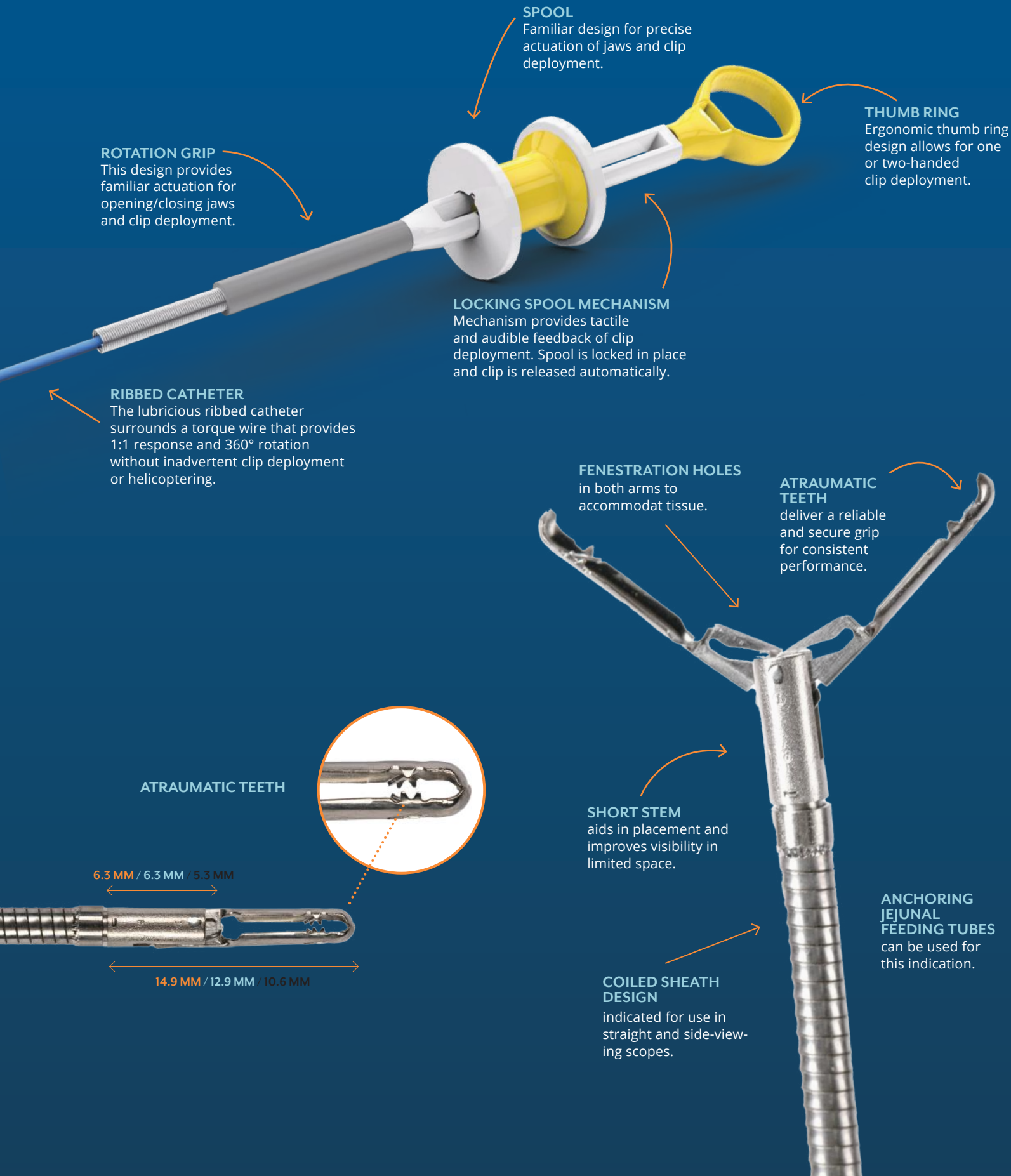
LOCK ONTO TISSUE

LOCKADO[®] ALLOWS UNRESTRICTED OPENING AND CLOSING SO IT CAN BE REPOSITIONED UNTIL THE DESIRED POSITION IS ACHIEVED.

Hemostasis clips need to provide accuracy, reliability and precise functionality. With two sets of opposing atraumatic teeth in the arms of the clip, Lockado delivers a reliable and secure grip for consistent performance. Driven by Micro-Tech Endoscopy's proven clip delivery system, the Lockado clip provides exceptional reliability and tissue management.

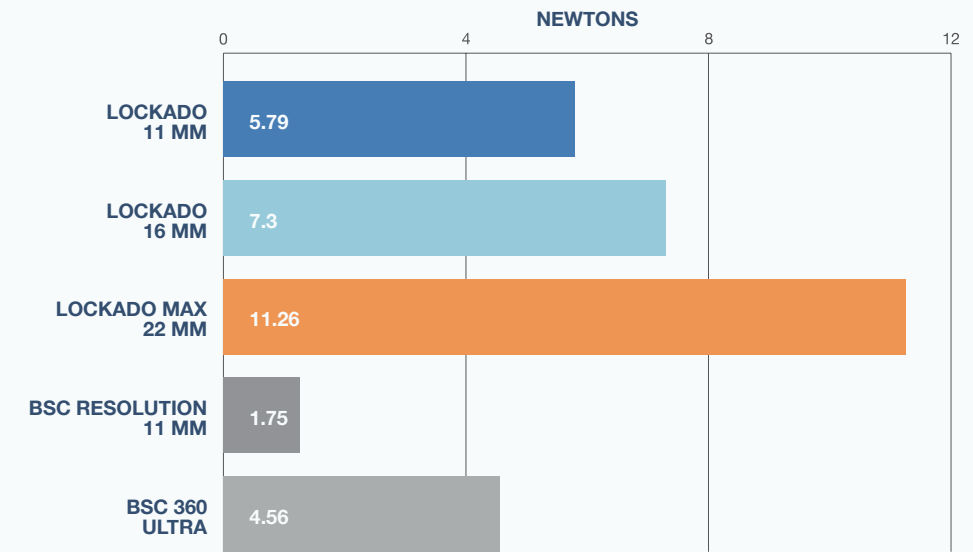


KEY FEATURES



EXCELLENT RETENTION STRENGTH

When comparing Lockado to other competitive hemostasis clips, testing showed that all sizes of Lockado have greater retention strength on average than Boston Scientific Resolution® 11 mm and Resolution Ultra 360™

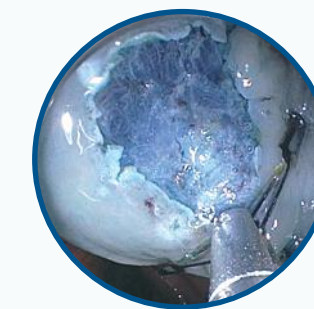


“I prefer the Micro-Tech clips in situations such as post-ERCP sphincterotomy/ampullectomy bleed, perforation closure, EMR/ESD, mucosectomy in esophagus, small bowel or colon because they grip tissue easily and the exceptionally short stems are great in tight spaces.”

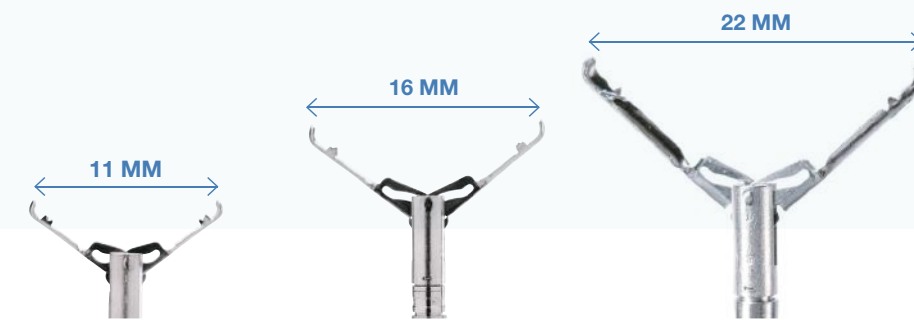
- DR. FENG LI, MD, ADVANCED ENDOSCOPIST



Endoscopic view is less obstructed with shorter clip stems.



The larger Lockado clips can be used to approximate tissue before using additional clips to complete closure.



LOCKADO HEMOSTASIS CLIP STERILE



Order Number	Opening Width (mm)	Sheath Diameter (mm)	Working Length (cm)	Minimum Channel Size (mm)	Packing Units
LO30861	11	2.6	235	2.8	10/Box
LO30865	11	2.6	235	2.8	2/Box

LOCKADO PLUS HEMOSTASIS CLIP STERILE



Order Number	Opening Width (mm)	Sheath Diameter (mm)	Working Length (cm)	Minimum Channel Size (mm)	Packing Units
LO30891	16	2.6	235	2.8	10/Box
LO30895	16	2.6	235	2.8	2/Box

LOCKADO MAX HEMOSTASIS CLIP* STERILE



Order Number	Opening Width (mm)	Sheath Diameter (mm)	Working Length (cm)	Minimum Channel Size (mm)	Packing Units
LO35041	22	2.6	235	2.8	10/Box
LO35045	22	2.6	235	2.8	2/Box

*Jaws may not open to maximum reach until placed in contact with tissue.

INDICATIONS FOR USE

The Lockado Hemostasis Clip is indicated for Endoscopic clip placement within the Gastrointestinal tract of adult patients only via a straight or side-viewing flexible endoscope for the purpose of:

- (1) Endoscopic marking;
- (2) Hemostasis for
 - (a) Mucosal / sub-mucosal defects < 3 cm,
 - (b) Bleeding ulcers,
 - (c) Polyps < 1.5 cm in diameter,
 - (d) Diverticula in the colon,
 - (e) Arteries < 2 mm
 - (f) Prophylactic clipping to reduce the risk of delayed bleeding post lesion resection;
- (3) As a supplementary method, closure of GI tract luminal perforations <20 mm that can be treated conservatively.

MR CONDITIONAL

Non-clinical testing has demonstrated the Lockado Hemostasis Clip is MR Conditional according to ASTM F2503.

¹ Bench testing was performed (n=120) per device. Test report: MTN-SD-TR-001.

² Bench testing was performed (n=5, n=25) per device. Test report: MTN-0035150 A1 Comparison Test Report.

All trademarks are the property of their respective owners.

CAN'T FIND IT?

Additional items may be available. Contact us if you can't find what you need.